

# NoPileups Camera Measurement Worksheet

VERSION 3.1, REVISED 12/2020

## Instructions

Three unique measurements must be recorded for each camera. Complete the Camera Measurement Worksheet on the next page and send it to [support@NoPileups.com](mailto:support@NoPileups.com) with the name of the car wash in the subject line. You may be asked by NoPileups support to record additional measurements.

There are three measurement types required:

### X

The distance between the camera and the enter eye used to detect vehicles at the entrance. For ease of use, place a large object next to the enter eye and aim the laser at the object from the camera. X measurements should not account for height differences between the camera and the enter eye. To measure the X location of blower room or tunnel exit cameras, it may be useful to record some of the listed “helpful measurements” and add them together.

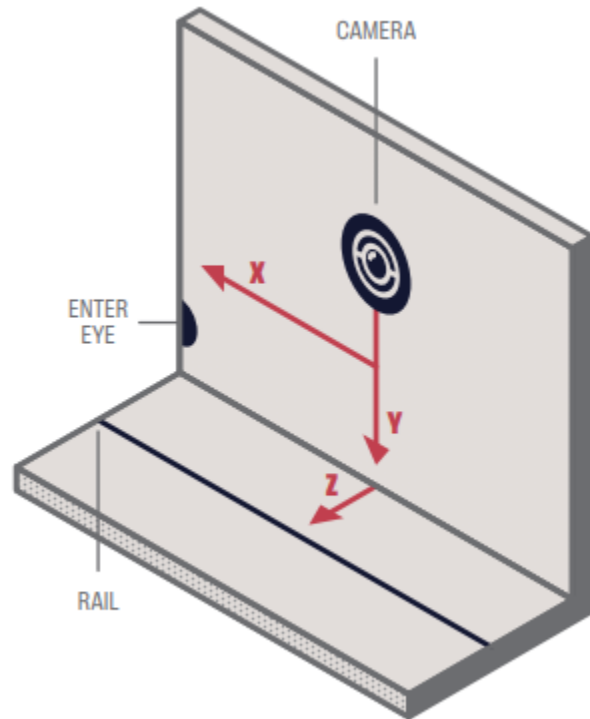
### Y

The distance between the camera and the floor, vertically.

### Z

The distance from the conveyor to the camera (or the wall the camera is mounted on).

- For chain and roller conveyors, measure from the inside of the guard rail that keeps vehicle tires in line.
- For belt conveyors, measure from the left edge of the flights on the driver side belt.



## NoPileups Camera Measurement Worksheet

Send completed form to [support@NoPileups.com](mailto:support@NoPileups.com).

Car Wash Name: \_\_\_\_\_

Location Code: \_\_\_\_\_ - \_\_\_\_\_

Tunnel Length: \_\_\_\_\_ (feet or inches)

	<b>Side of Tunnel (Driver or Passenger)</b>	<b>X (feet and/or inches, distance from enter eye)</b>	<b>Y (Feet and/or inches, height above floor)</b>	<b>Z (Feet and/or inches, distance to chain or left edge of driver flights)</b>
Camera 1				
Camera 2				
Camera 3				
Camera 4				
Camera 5				
Camera 6				
Camera 7				
Camera 8				
Camera 9				
Camera 10				
Camera 11				
Camera 12				
Camera 13				
Camera 14				
Camera 15				

### Helpful Measurements

<b>Reference Points</b>	<b>Distance (Feet or inches)</b>
<b>Entrance Wall to Enter Eye</b>	
<b>Entrance Wall to Blower Entrance Wall</b>	
<b>Blower Entrance Wall Thickness</b>	
<b>Blocker Entrance Wall to Exit Wall</b>	
<b>Exit Wall Thickness</b>	
<b>Driver Side Wall to Conveyor</b>	
<b>Passenger Side Wall to Conveyor</b>	

When walls or equipment prevent direct measurement of X values from a camera to the enter eye, measure in segments using the helpful measurements section and add them together for the final X value.